

# TRIPOD JACK 25T

Official equipment of : AIRBUS, BOEING, COMAC, IRKUT, ATR.

## DESCRIPTION

This single stage hydraulic tripod jack is built with a modern design which combines high efficiency and cost-effective result in aircraft maintenance. Besides the basic configuration of each model, various optional are available to adapt the equipment to the customer's requirements. The modular solution allows to use many common elements in our models, which reduces the maintenance cost and ensures the quick supply of spare parts and provide many years of continuous service. Every jack must prove its quality on the jack tester before the deliver to the customer. All models are lateral tested at 15% of the vertical load.



## APPLICATIONS

### NOSE

A300, A310, B747, B757, B767, B777, B787

### MAIN

A220, ATR42, ATR72, DASH7, DASH8 Q400, SSJ100, CS100/300

### TAIL

A318-A321, B707, B720, B737, B757, MC21, C919

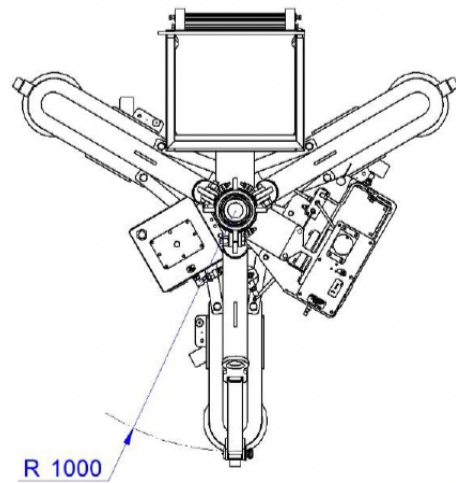
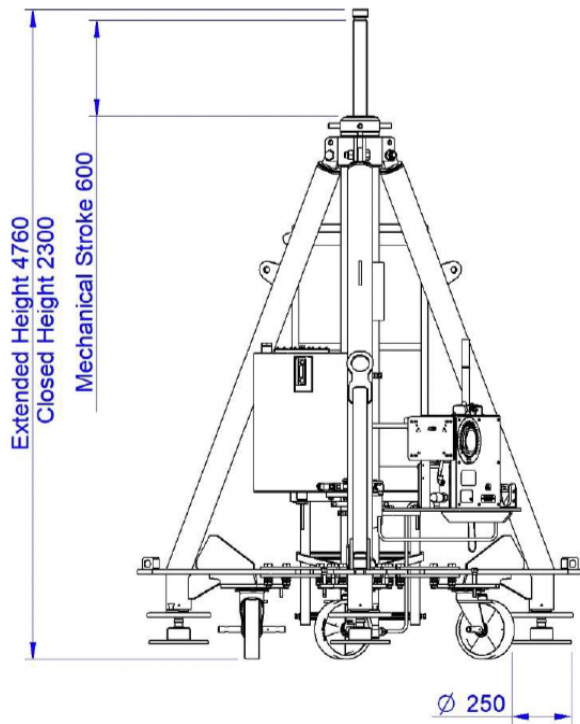
\*only for routine applications

## STANDARD FEATURES

- Manual hand pump with high and low pressure operating modes.
- Pneumatic driven hydraulic pump.
- Hydraulic relief valve for overload and additional protection in the event of internal fluid expansion due to temperature.
- Low friction seals and secondary seal/wear ring for protection against contaminants.
- Hard chrome-plated cylinder bore and hydraulic/mechanical extensions.
- Manually operated safety nuts.
- Control panel with manometer (dual scale: bar/t) and bubble level for leveling operation.
- Heavy duty caster wheels with locks for improved towing.
- Heavy duty tow bar interchangeable between the different legs.
- Legs with joint balls and mechanical height adjustment for support on uneven surface and leveling tasks.
- Skydroll resistant paint (yellow standard), with all unpainted parts galvanized or nitrided for corrosion resistance.
- Textile rain hat.
- Auxiliary ladder (multi stage jacks and jacks with more than 2 meters of closed height)
- Packaging over pallet.
- Jack sockets dimensions according to SAE standard AS8091.
- CE marking according to EN12312. Factory proof loaded at 150% of nominal capacity.

## SPECIFICATIONS

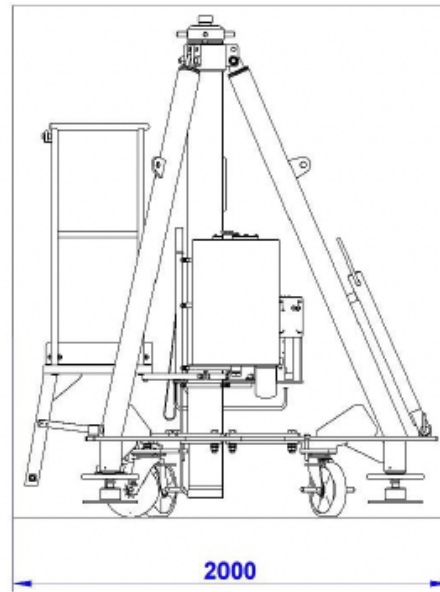
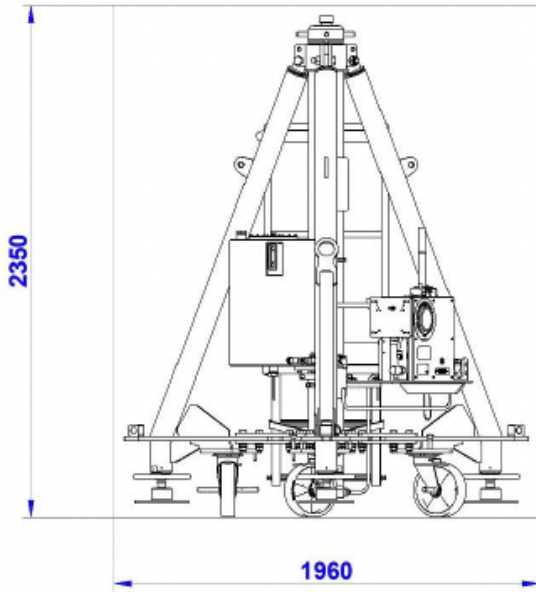
Load capacity	25 t (27.6 US ton)
Minimum height	2280 mm (89.76 in)
Hydraulic stroke / extensions	1862 mm (73.31 in) / 1 hydr. ext.
Mechanical extension	650 mm (25.59 in)
Maximum height	4792 mm (188.66 in)
Base radius	1000 mm (39.37 in)
Max. Towing speed (manual towing)	6 km/h (3.7 mph)
Foot diameter	250 mm (9.84 in)
Weight	880 Kg (1940 lb)



**WEIGHT & DIMENSIONS**

	<b>Weight*</b>
<b>Shipping (pallet)</b>	1730 Kg (3814 lb)
<b>Shipping (closed box)</b>	1790 Kg (3946 lb)

**Dimensions\* (L x W x H)**  
2100 x 2000 x 2450 mm  
2100 x 2000 x 2500 mm  
\*Approximate dimensions



Inner dimensions